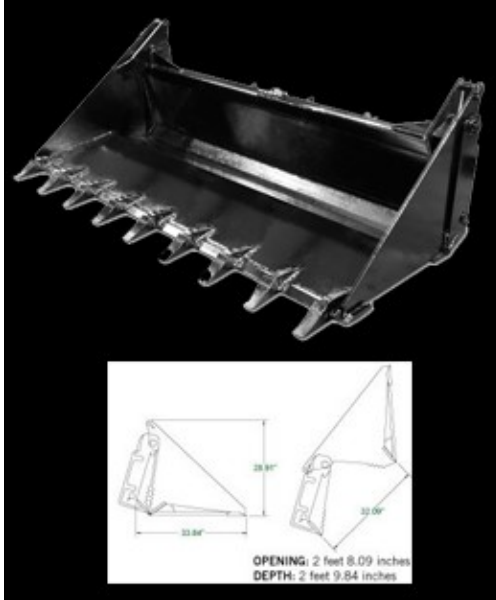
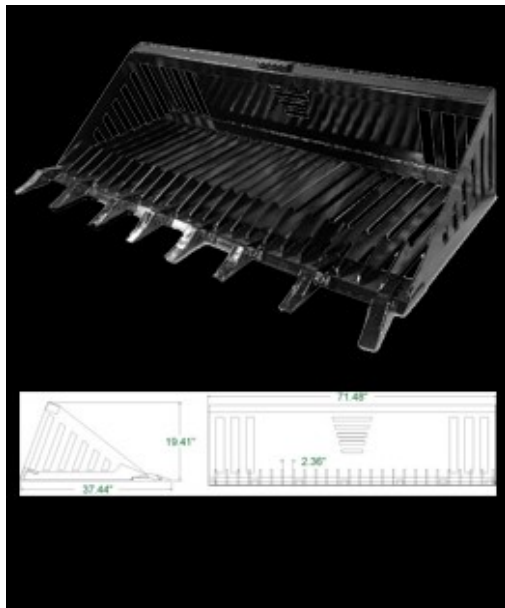


Skid Steer 4N1 Buckets



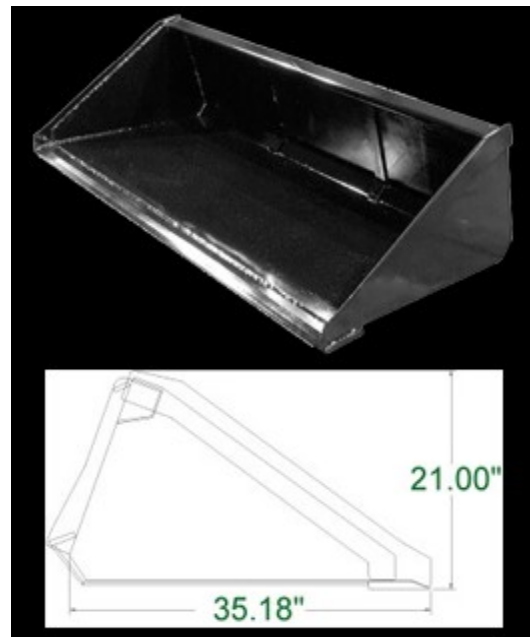
- Ideal for dozing, backfilling, loading, digging & fine grading
- Oversized points and bushings
- Every pivot point has grease fittings
- Every unit exceeds the lifting capacity of the skid steer machine it is used on
- Optional weld on teeth are available
- Optional bolt-on edge is available
- Hose Kit and quick Connect fittings included

Skid Steer Rock Buckets



- Will catch any rock or debris that is larger than 2-3/8"
- Optional weld-on teeth and bolt on edge available

Long Bottom Buckets



- Holds more material than low profile bucket
- Optional weld-on teeth and bolt on edge available

SOLARIS SKID STEER BUCKETS

Skid Steer Low Profile Bucket



- Holds more material than competitors' low-profile buckets
- Optional weld-on teeth and bolt on edge available



BUCKET TYPE	Available Sizes	Cylinder Specs	Cutting Edge
4N1	60", 66", 72", 78", 81", 84"	2.5" bore, 8" stroke	3/4" X 6"
ROCK BUCKET	63", 72", 81"	2.5" bore, 8" stroke	3/4" X 6"
LONG BOTTOM BUCKET	66", 72", 78", 81", 84"	2.5" bore, 8" stroke	3/4" X 6"
LOW PROFILE BUCKET	66", 72", 78", 81", 84"	2.5" bore, 8" stroke	3/4" X 6"



Solaris Attachments
www.solarisattachments.com
sales@solarisattachments.com
 (206) 290-0843

