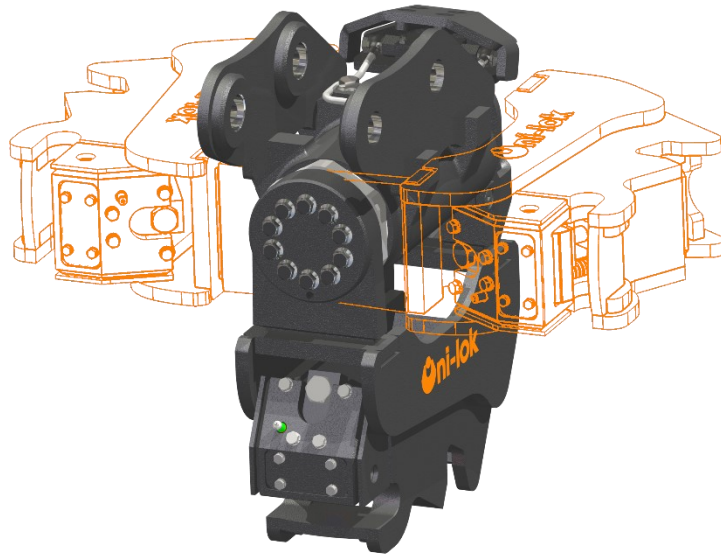


Tilt Couplers



Hydraulic Tilt Couplers

Harford's reputation was built on innovation. This hydraulic tilt coupler allows for a full 180-degree tilt (90 degrees each side). Its low build height allows for your carrier to retain the highest breakout force possible. No other tilt coupler allows for this much torque in its class!

Available for the full Harford range!